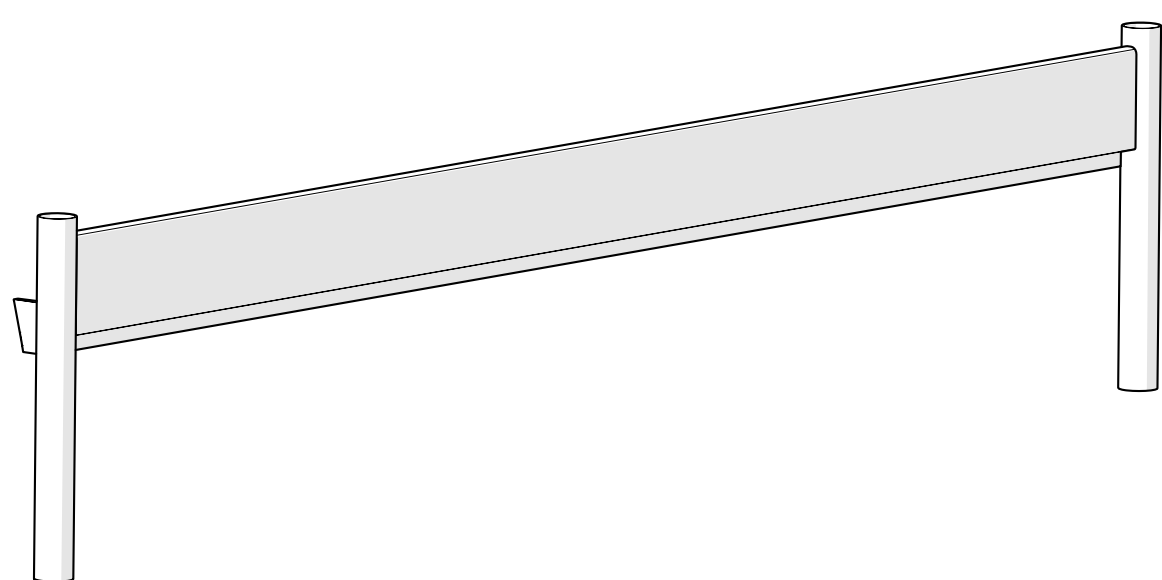
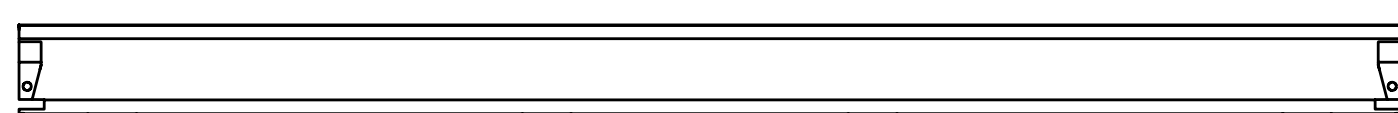


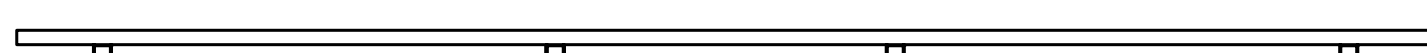
A ----- x1



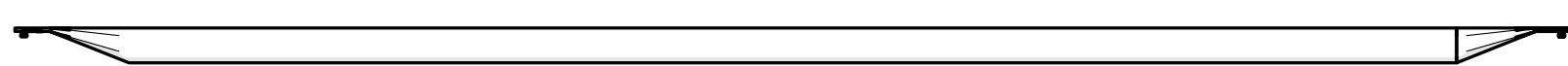
B ----- x1



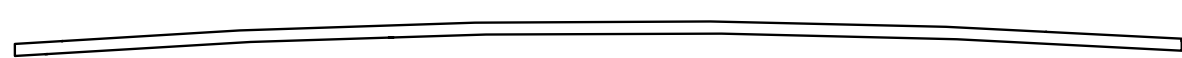
C ----- x2



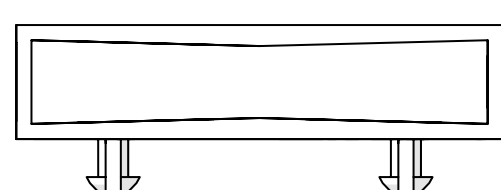
D ----- x1



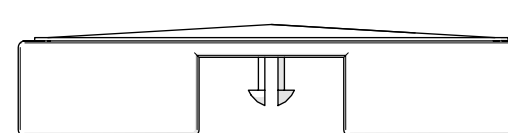
E ----- x4



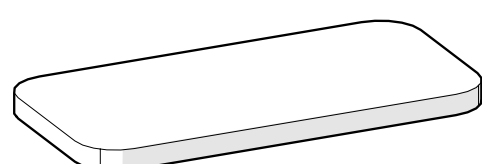
F ----- x26



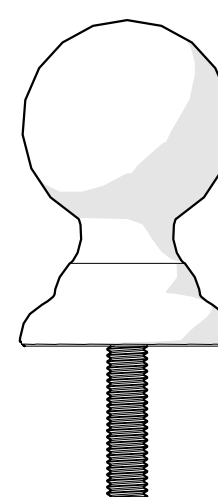
G ----- x26



H ----- x13

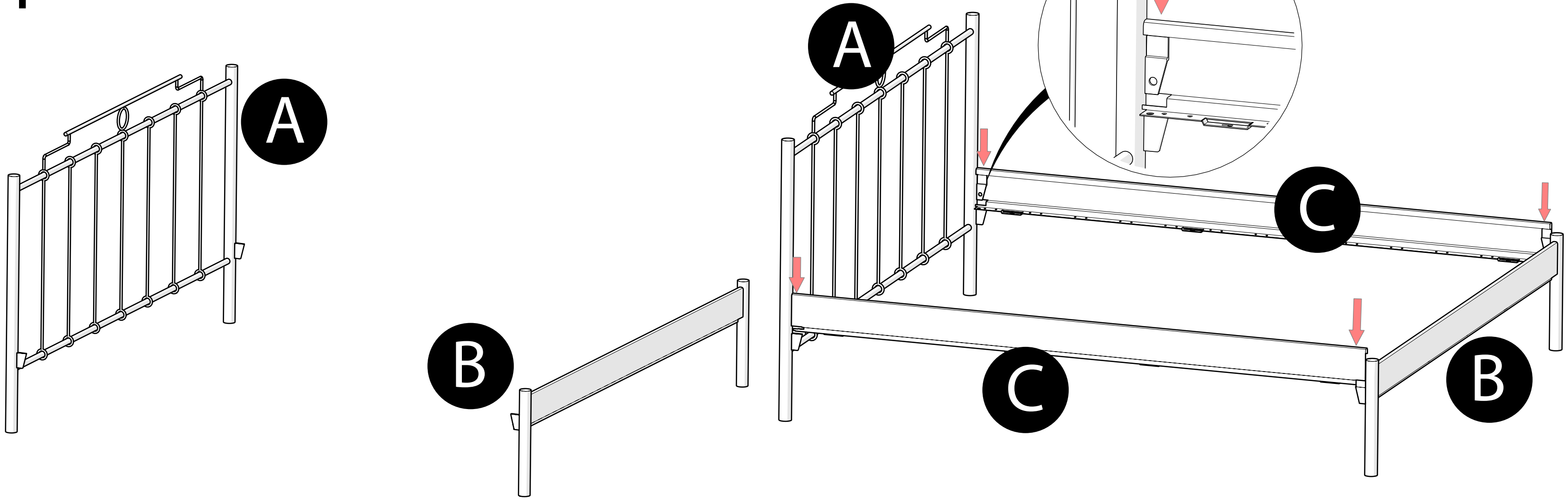


I ----- x16

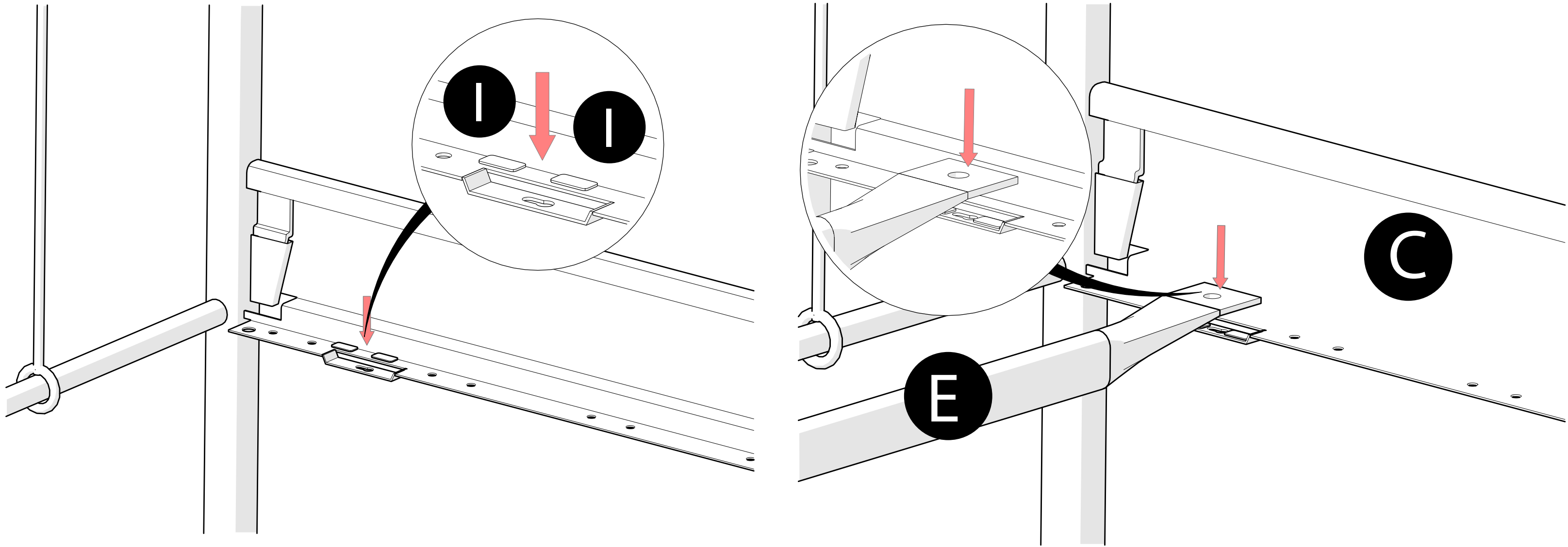


J ----- x2

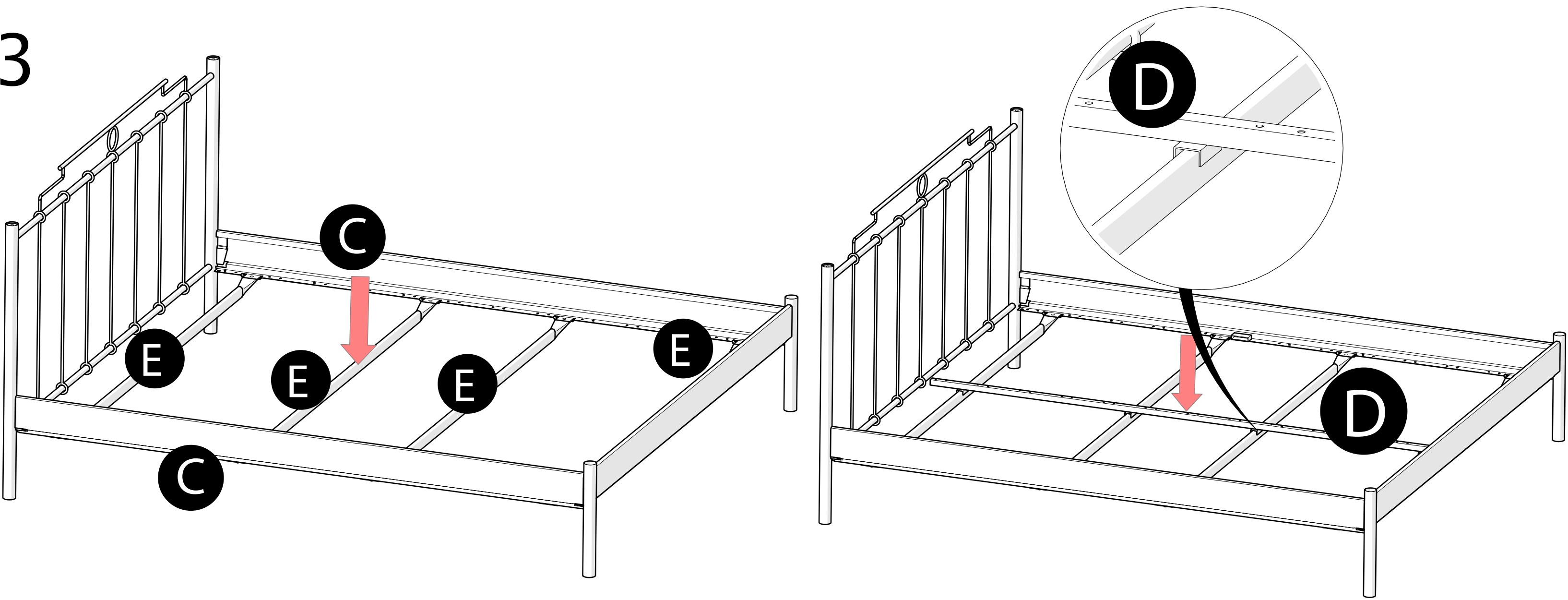
1



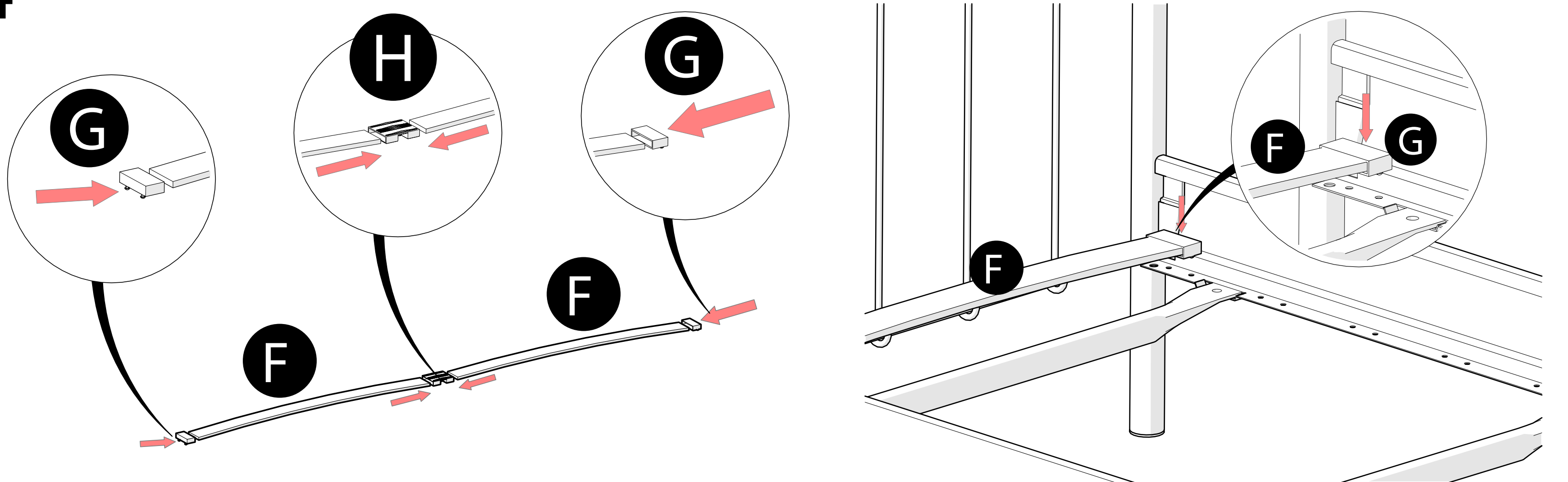
2



3



4



5

