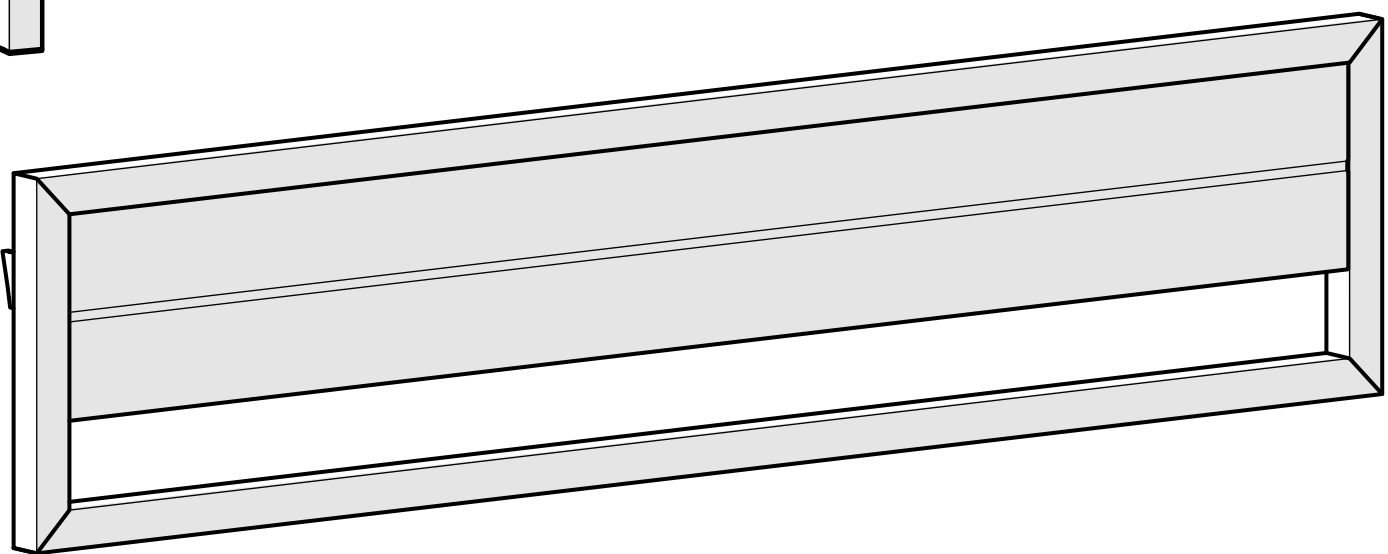
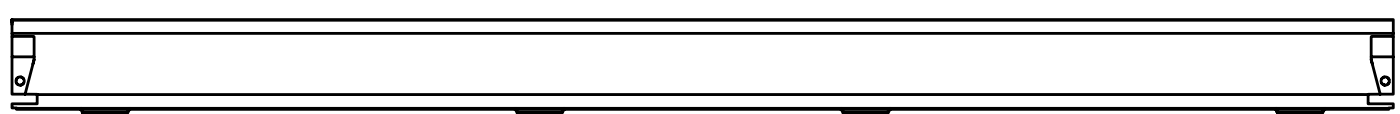


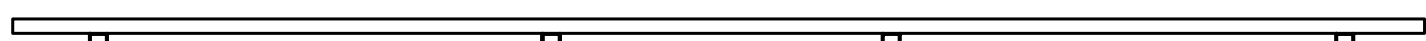
A ----- x1



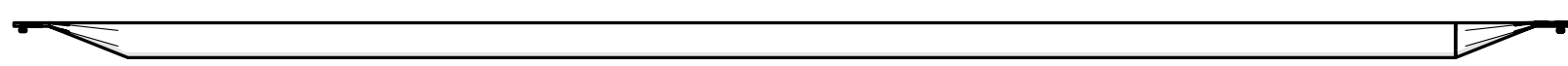
B ----- x1



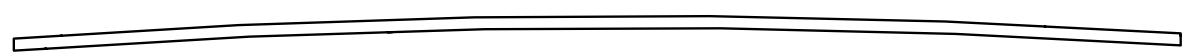
C ----- x2



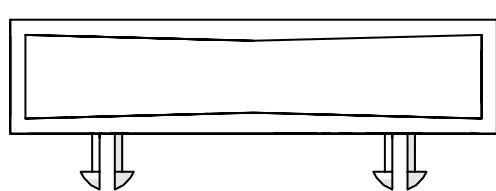
D ----- x1



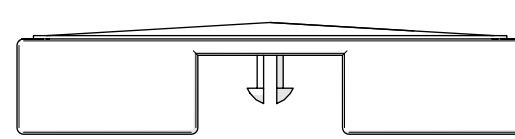
E ----- x4



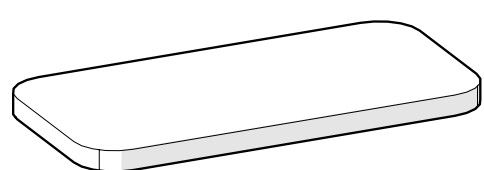
F ----- x26



G ----- x26

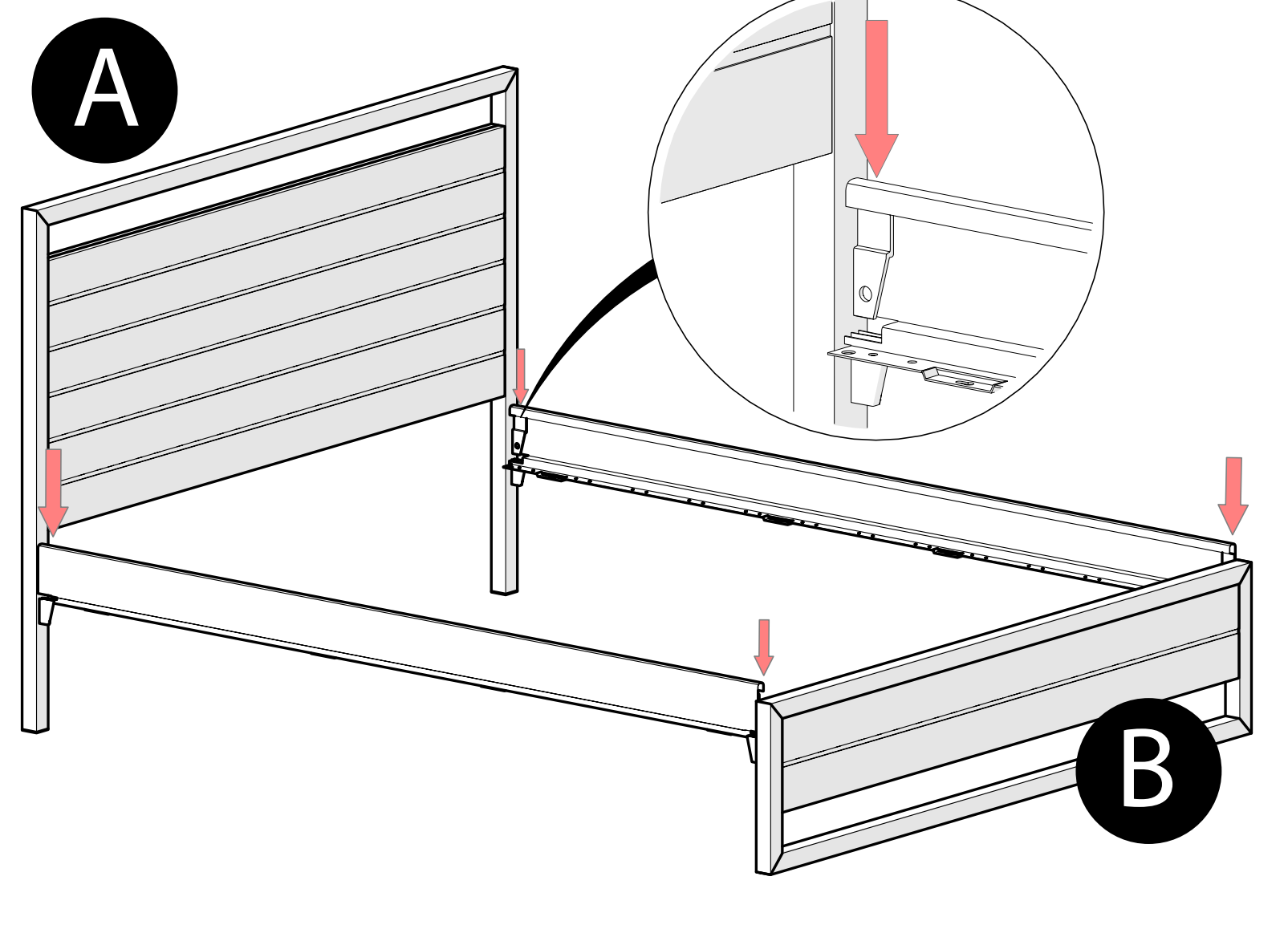
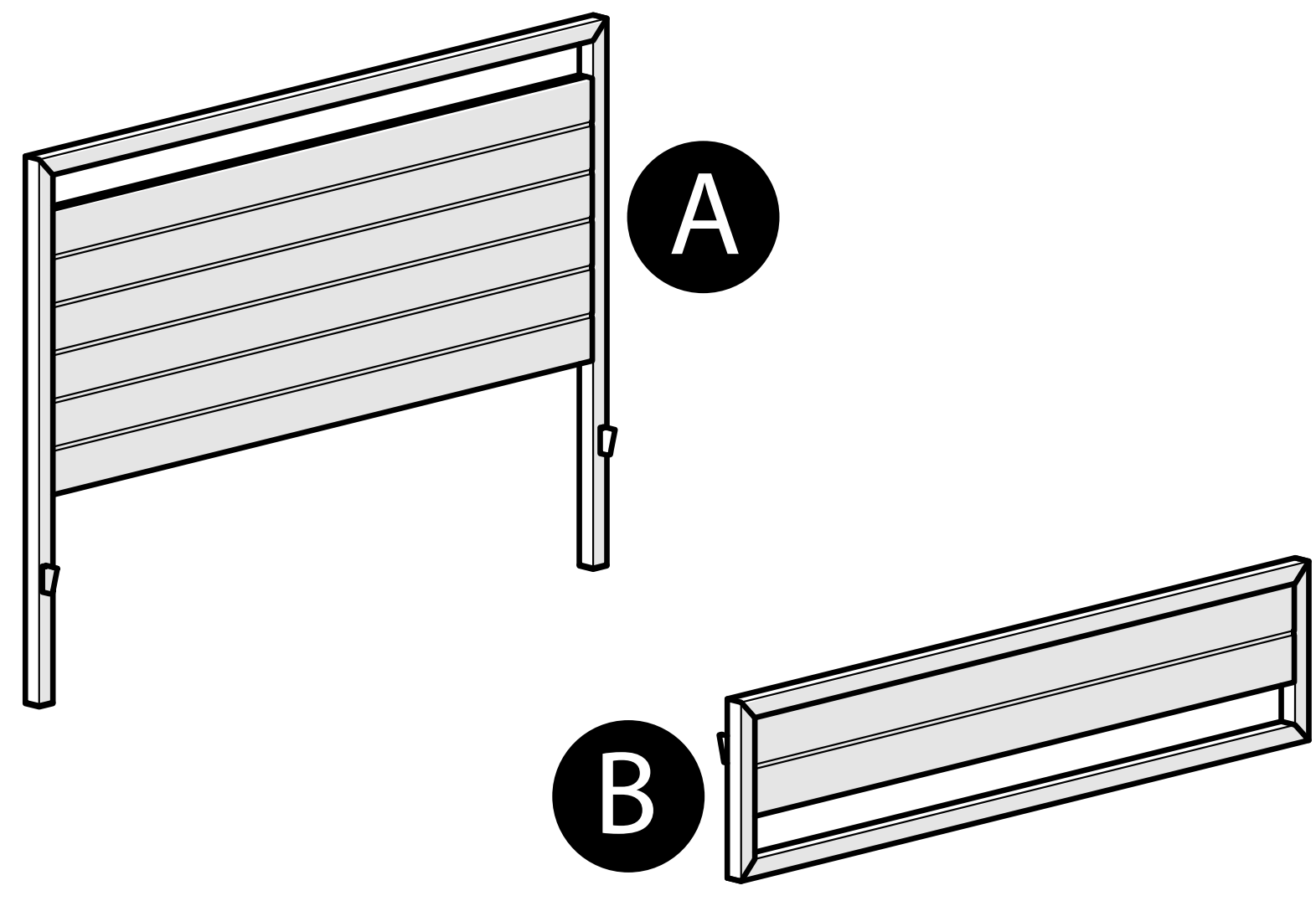


H ----- x13

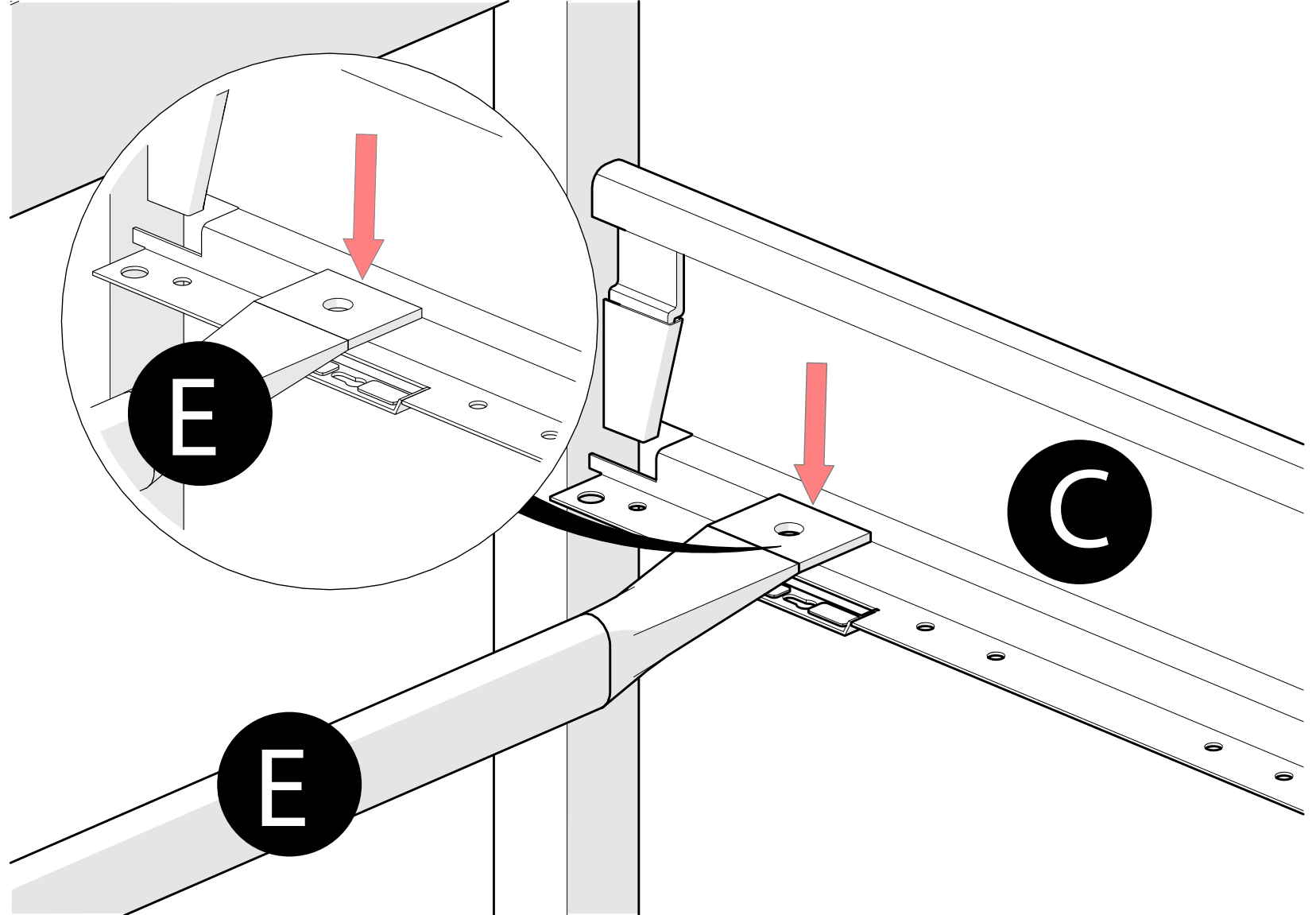
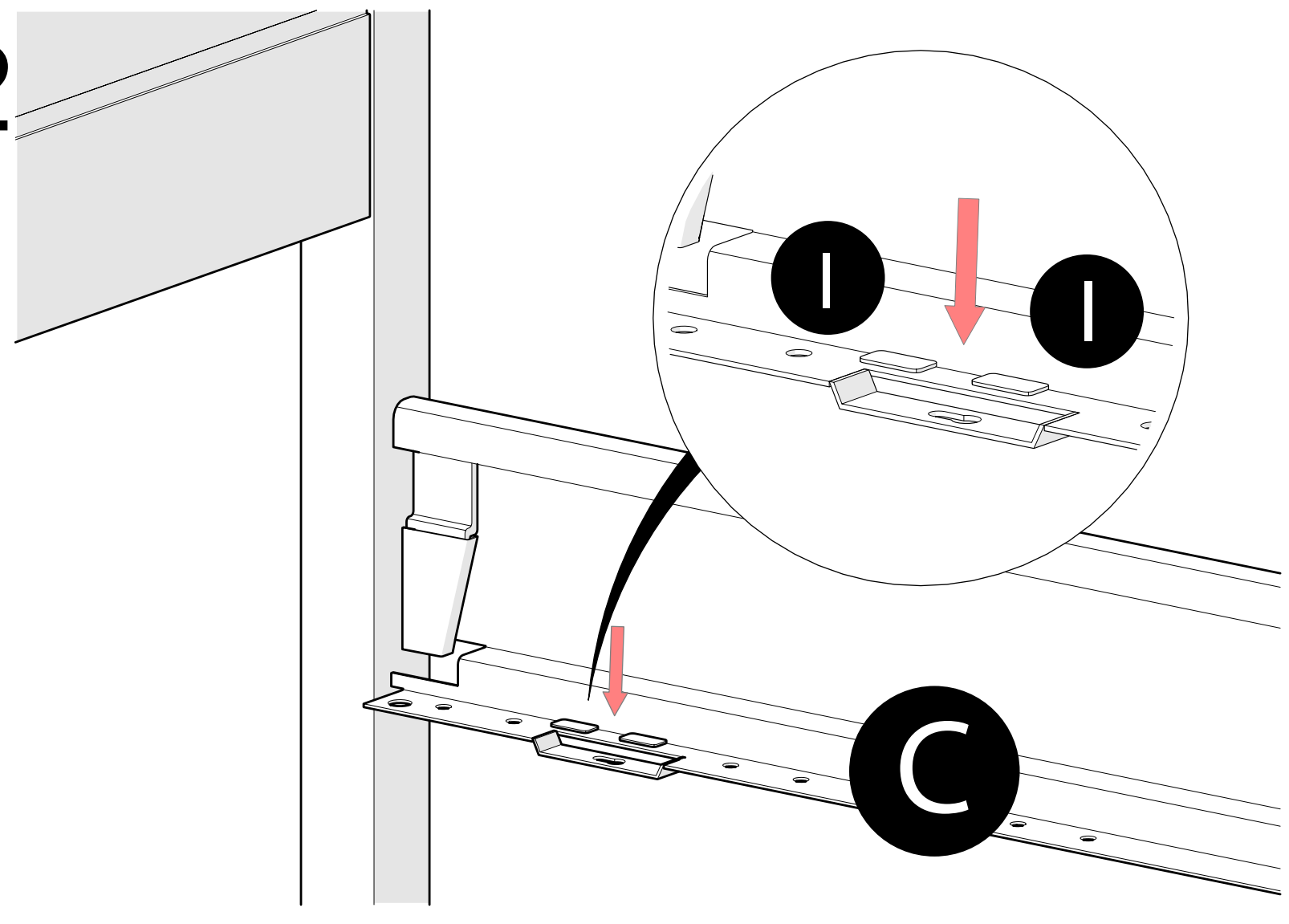


I ----- x16

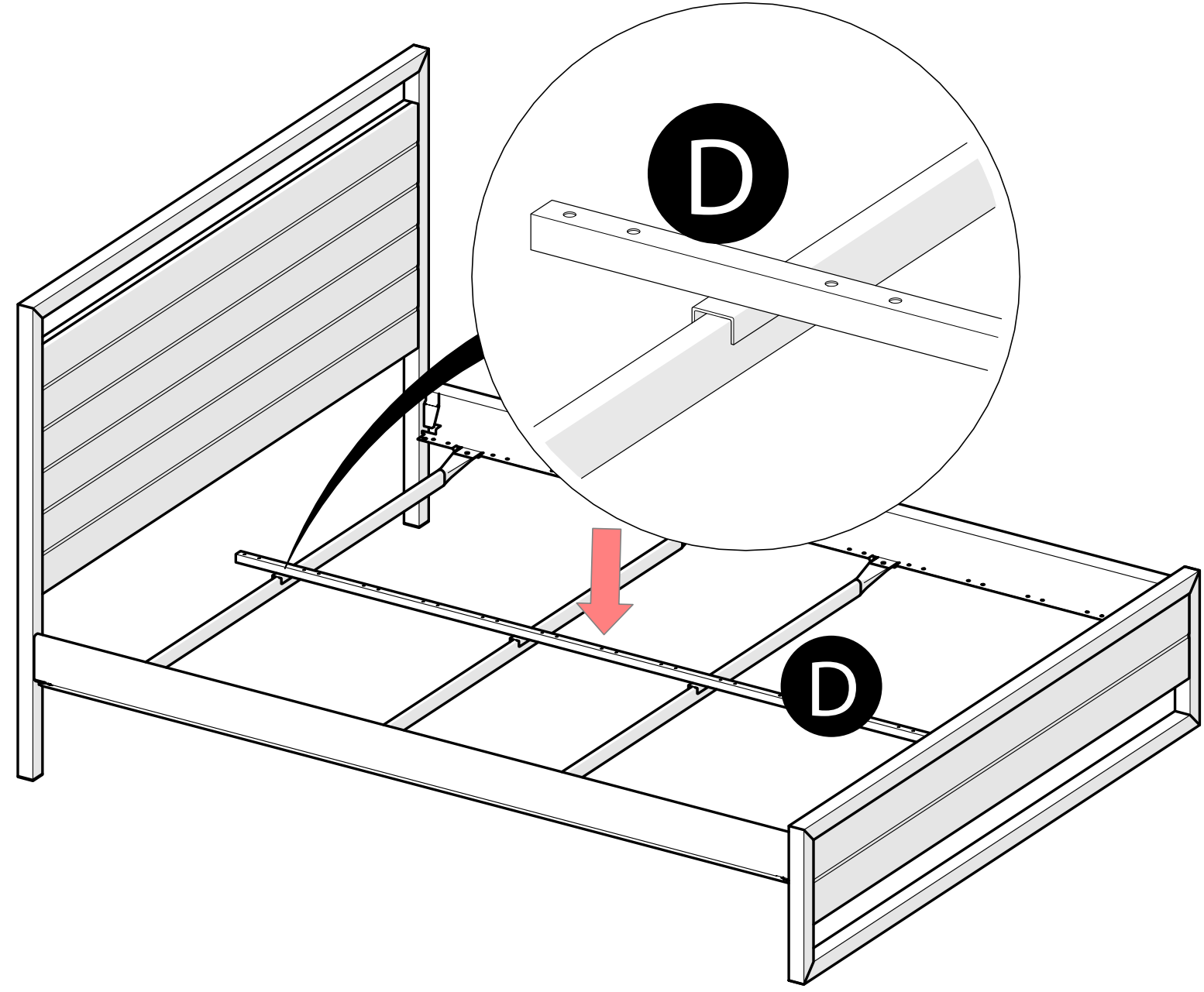
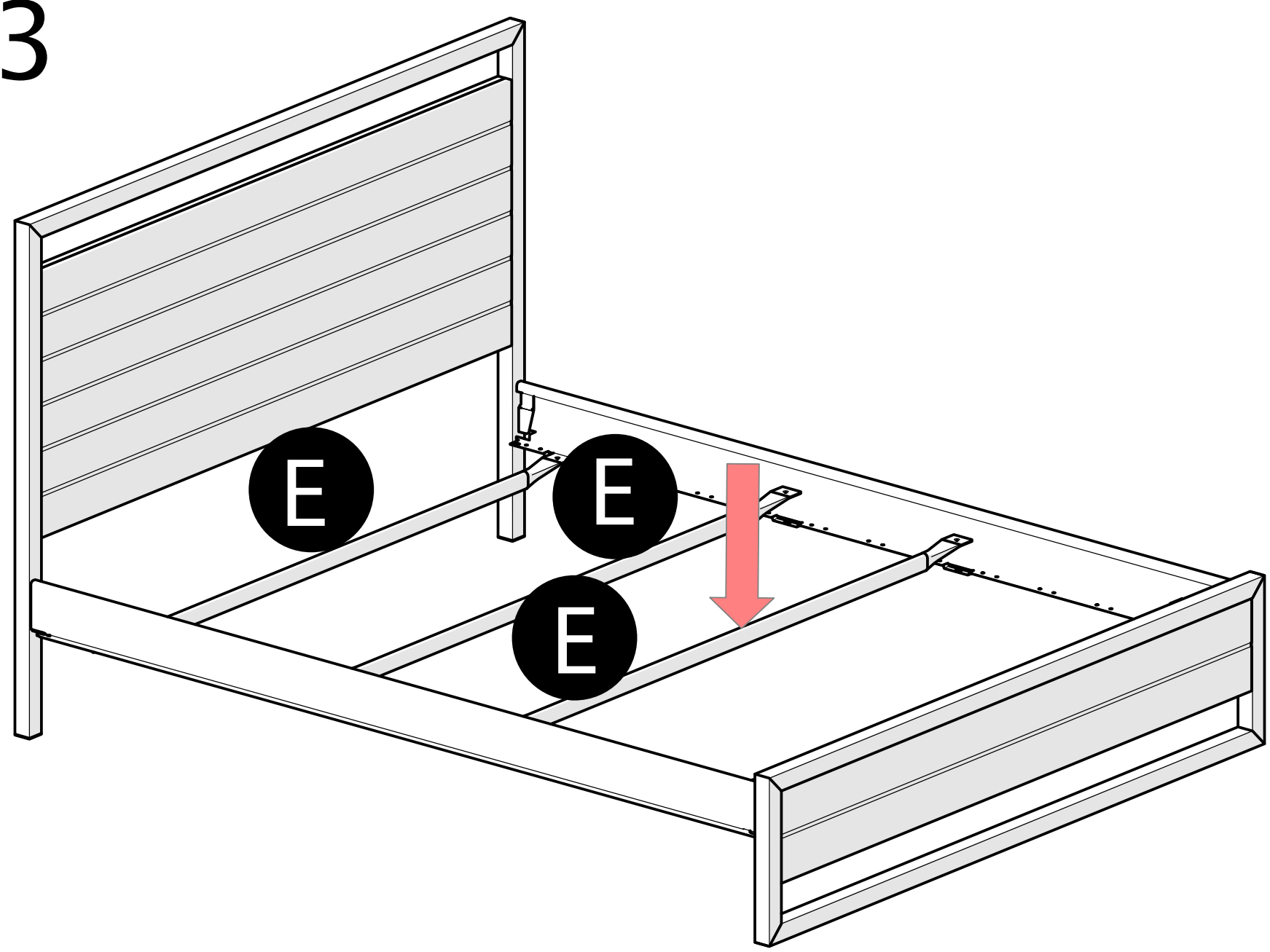
1



2



3



4

