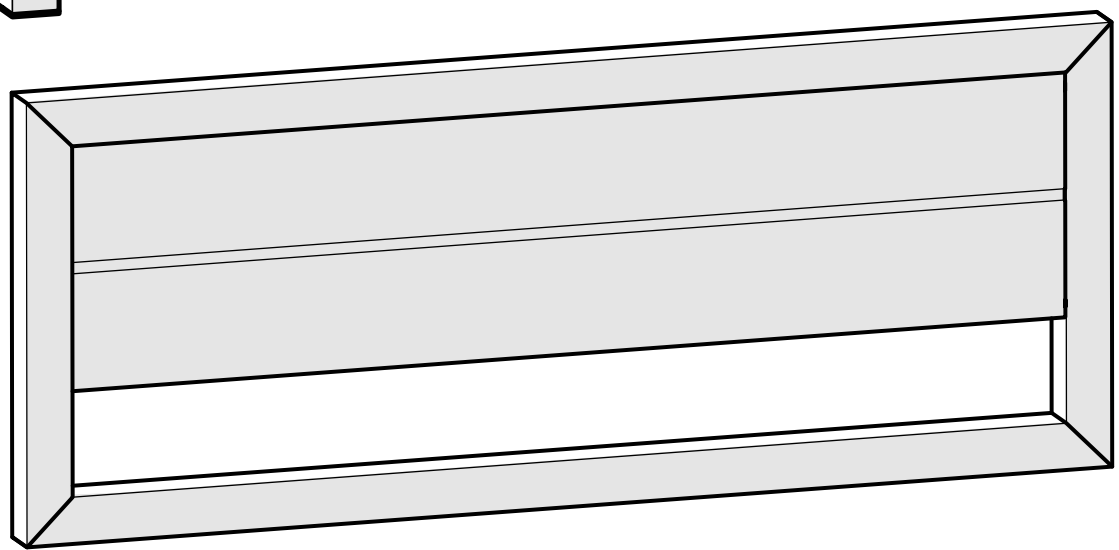
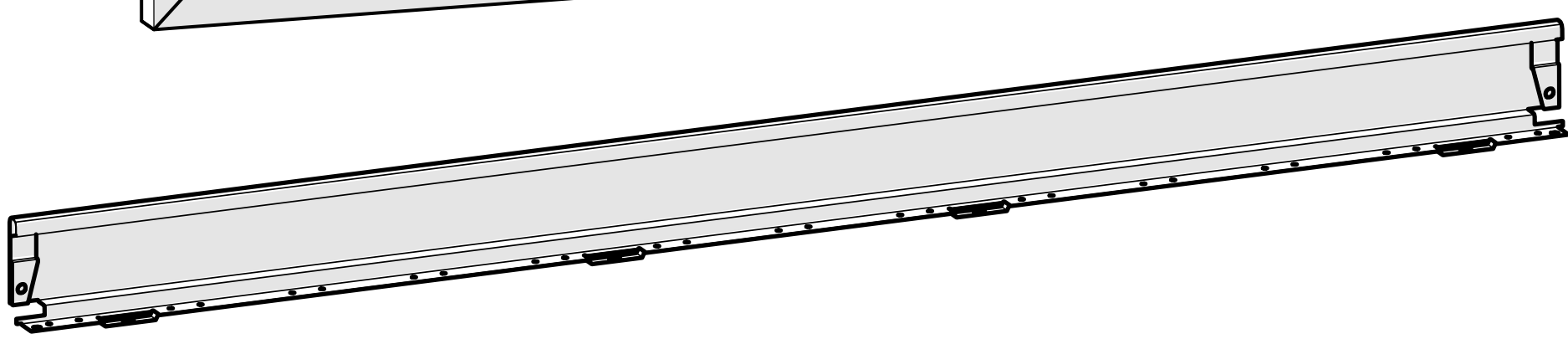


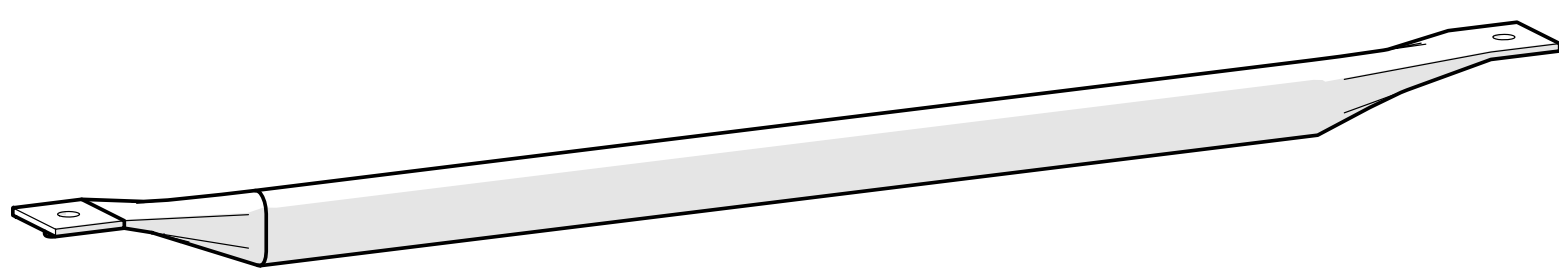
A --- x1



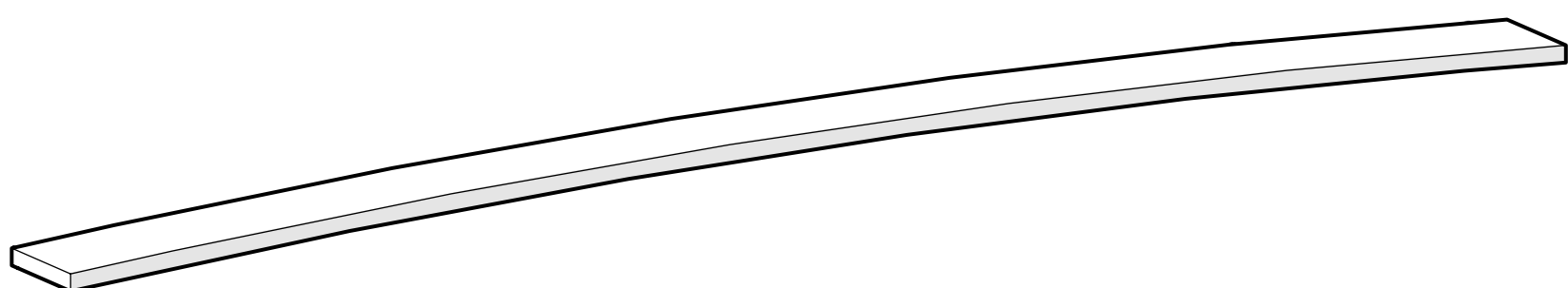
B --- x1



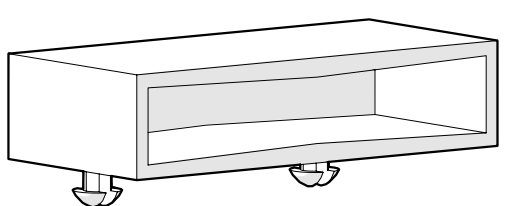
C --- x2



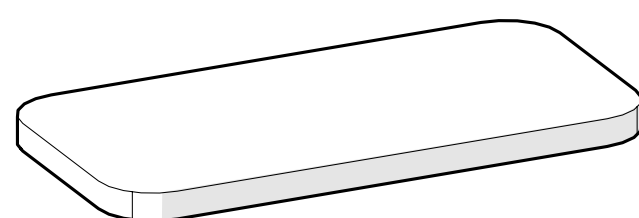
D --- x4



E --- x13

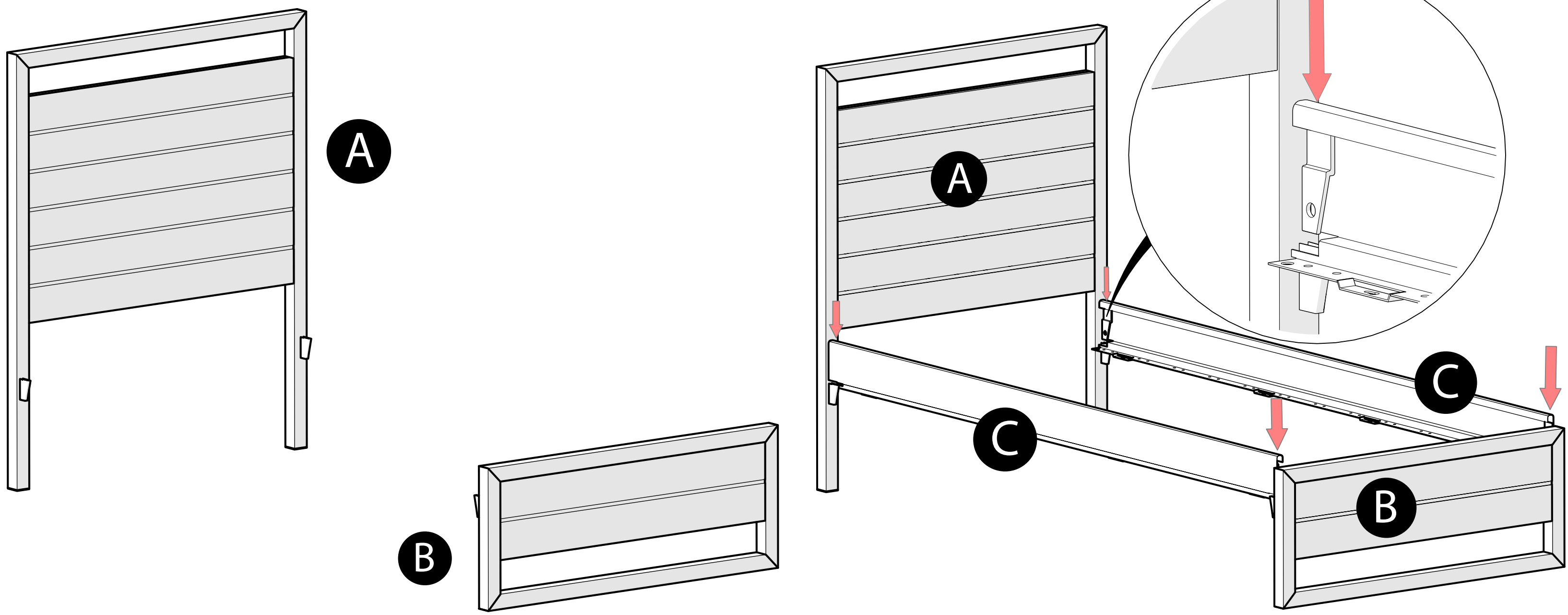


F --- x26

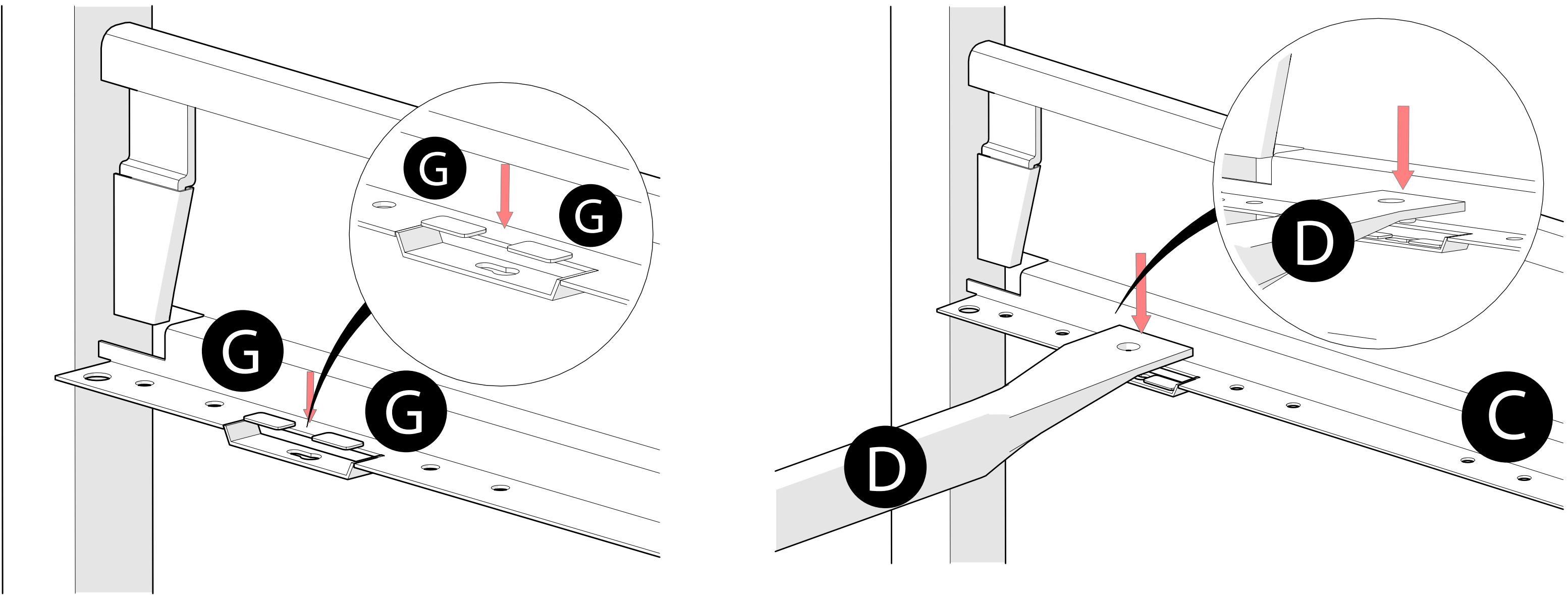


G --- x16

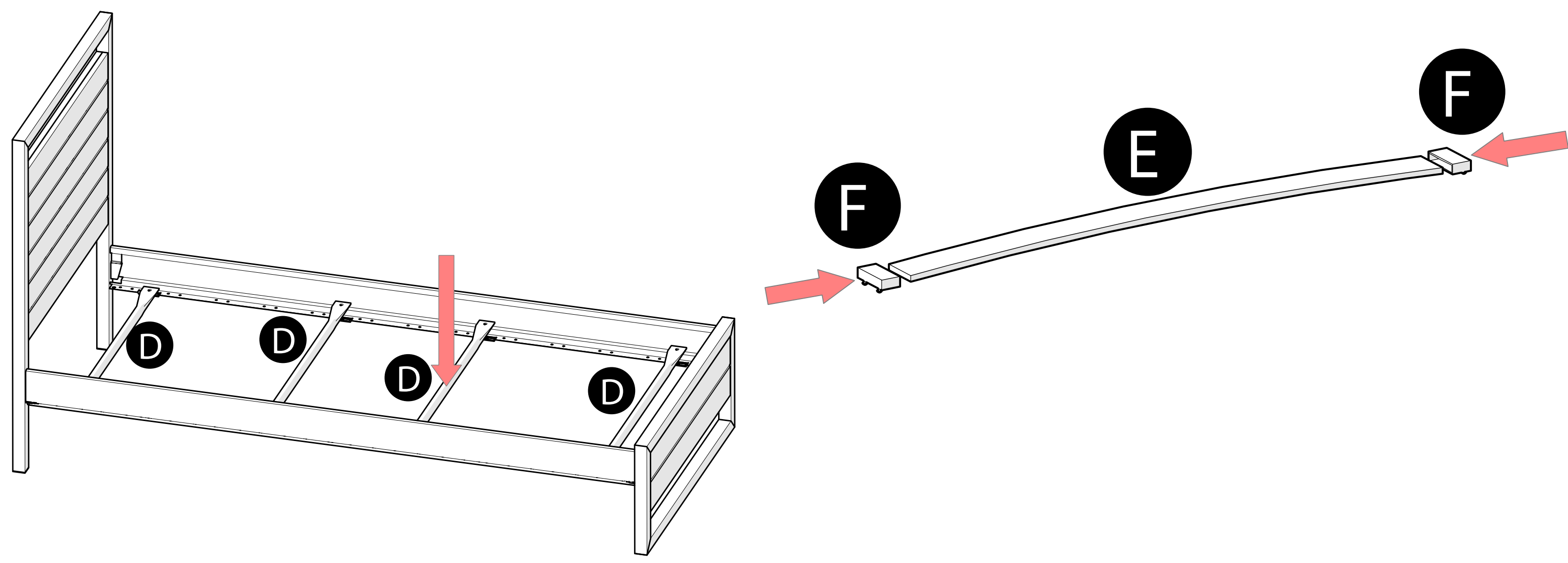
1



2



3



4

